

841162

CLARK

CLARK

CLARK EQUIPMENT COMPANY

Automotive Division
Jackson-Buchanan, Michigan

DATE: 2 Oct 81

CLARK MODEL: 841162

DTP-33410

ITEM	QTY	PART NO.	%	DESCRIPTION
1	2	110553	D	Internal Gear Hub - Included in item 95
2	2	110622	D	Internal Gear - Included in item 95
3	16	125776		Internal Gear Screw - Included in item
4	2	110559	D	Spindle Nut
5	2	118786	D	Spindle Nut Lock
6	2	110559		Spindle Nut
7	2	124305	E	Planet Carrier Assembly SEE PARTS LIST
7A	2	118791		Planet Carrier "O" Ring - Not Illustrated
8 and 9				Not used on this model
10	40	106547		Planet Carrier Capscrew Washer
11	40	117225		Planet Carrier Capscrew
12	2	106232	D	Sun Gear
12A	2	128315		Sun Gear Thrust Washer - Not Illustrated
13	2	224023	C	Sun Gear Snap Ring
14	2	106457		Thrust Cap Washer
15	2	124988	E	Thrust Cap Assembly - Inc. Items 14
15A	2	113292	B	Thrust Cap Seal Ring - Not Illustrated
16	12	112278		Thrust Cap Capscrew Lockwasher
17	12	1C-720H		Thrust Cap Capscrew
18	2	10F-02		Oil Level Plug
18A	2	16F-12		Planet Cover Plug - Not Illustrated
19 thru 22				Not used on this model
23	24	118358		Brake Drum Bolt
24	24	104412		Brake Drum Bolt Lockwasher
25	2	121494	E	Brake Drum - Included in item 94

ITEM	QTY	PART NO.	%	DESCRIPTION
26	2	112028	D	Oil Catcher
27	2	124431	B	Hub Oil Seal
28	2	658979	C	Hub Bearing Cone - Inner
29	2	658994	C	Hub Bearing Cup - Inner
30	2	118462	E	Hub & Cup Assembly - Inc. Items 29 and 3 (Included in Item 94)
31	2	119469		Hub Filler Plug
32	24	110036		Wheel Stud
33	24	107660		Rim Lug
34	24	360398		Wheel Nut
35	2	113012	D	Axle Shaft
36	2	1300428	C	Hub Bearing Cone - Outer
37	2	791554	C	Hub Bearing Cup - Outer
38	1	121214	C	Breather
39	1	124284	D	Output Shaft
40	1	815993	C	Output Shaft Bearing & Spacer Kit
41				Not used on this model
42	1	124286	E	Retainer
43	6	4E-07		Retainer Stud Lockwasher
44	6	109145		Retainer Stud
44A	6	64D-07H		Retainer Stud Nut - N.I.
45	1	101223		Output Shaft Nut
46	1	1E-740		Output Shaft Nut Cotter
47	1	101224		Output Shaft Washer
48	1	109604	E	Companion Flange
49	1	101222	E	Output Shaft Dust Shield
50	1	124287	B	Output Shaft Seal
51				Not used on this model

ITEM	QTY.	PART NO.	%	DESCRIPTION
53	1	841135	E	Housing
54	2	841144	D	Spindle
54A	2	231843		Spindle Sleeve - Not Illustrated
55	8	1C-632H		Dust Cover Screw
56	8	4 E-06		Dust Cover Screw Lockwasher
57	2	118041		Brake Dust Cover
58	8	655673		Brake Dust Cover Spacer
59	2	841142	E	Brake Assembly SEE PARTS LIST
60	2	119650	C	Brake Return Spring <i>55.07</i>
61	4	25E-21		Brake Return Spring Washer & Not as show
61A	4	1F-412		Brake Return Spring Washer Cotter - N. I.
62	20	17C-1248H		Brake Attaching Screw
62A	20	111656		Brake Attaching Screw Lockwasher - N. I.
63	1	112095	E	Cam Shaft, C.W.
63A	1	112096	E	Cam Shaft, C.W. - Not Illustrated
64	2	107735	C	Cam Shaft Thrust Washer
65	2	12H-15		Brake Spider Grease Fitting
66	2	25K-60124	B	Brake Cam Shaft "O" Ring
67	2	107739	C	Cam Shaft Bushing <i>-4</i>
68	2	11E-135	C	Cam Shaft Grease Retainer <i>-3</i>
69	2	107736	C	Cam Shaft Retainer Washer <i>24717-2</i>
70	2	660516	C	Cam Shaft Snap Ring
71	2	118041		Brake Dust Cover
72 & 73				Not used on this model.
74	2	102189		Air Chamber Bracket Bushing

CLARK MODEL: 841162

ITEM	QTY	PART NO.	DESCRIPTION	%
75	2	10H-25	Air Chamber Bracket Tube Fitting	
76			Not furnished by Clark	
77	2	108476	Slack Adjuster	D
78	1	2106730	Air Chamber Bracket Assembly - L.H. Inc. Item 74	E
78A	1	2106732	Air Chamber Bracket Assembly - R.H. Inc. Item 74	E
78B	4	600853	Air Chamber Bracket Assembly Spacer - Not Illustrated	
79	4	4E-12	Air Chamber Bracket Capscrew Lockwasher	
80	4	1C-1260H	Air Chamber Bracket Capscrew	
81	2	107010	Slack Adjuster Retaining Washer	
82	2	659764	Slack Adjuster Retaining Ring	C
83	1	119469	Housing Drain Plug	
84	4	112588	Carrier to Housing Stud	
85	4	126612	Carrier to Housing Stud Nut	
86	4	106547	Carrier to Housing Stud Washer	
87	10	64D-09H	Carrier to Housing Stud Nut	
88	10	106547	Carrier to Housing Stud Washer	
89	3	112295	Carrier to Housing Stud Taper Dowel	
90	10	112587	Carrier to Housing Stud	
91	1	124326	Differential & Carrier Assembly SEE PART LIST	
92	1	120707	Name Plate - Not Illustrated	
93	2	6C-605H	Name Plate Screw - Not Illustrated	
94	2	124343	Hub & Drum Assembly - Inc. Items 23 thru 26, 29, 30, 32, and 37	
95	2	110552	Internal Gear & Hub Assembly - Inc. Item 1, 2, and 3	E

% - Part Stock Recommendation

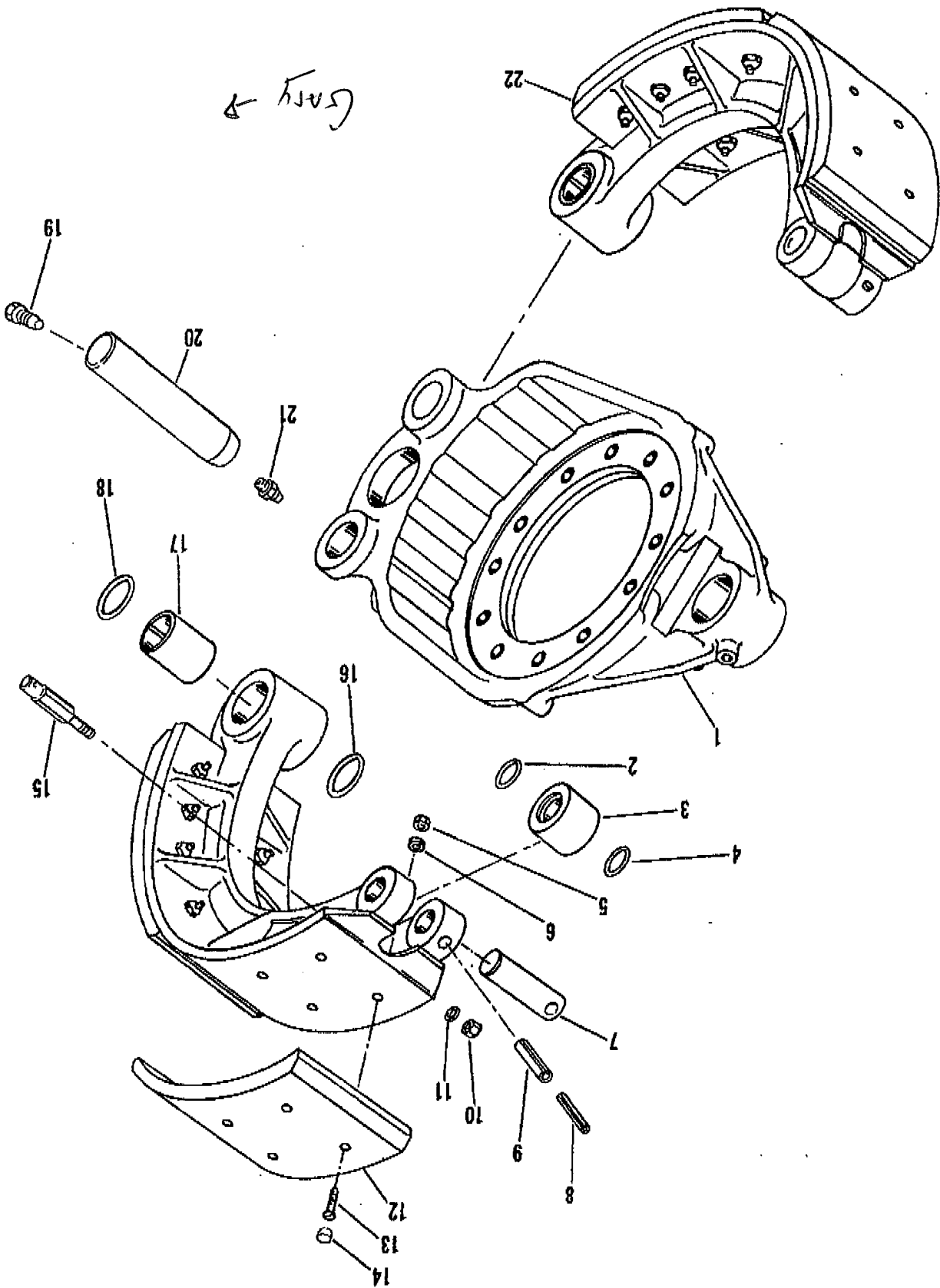
N.I. - Not Illustrated

ITEM	QTY.	PART NO.	%	DESCRIPTION
75	2	10H-25		Air Chamber Bracket Tube Fitting
76				Not furnished by Clark
77	2	108476		Stack Adjuster
78	1	2106730		Air Chamber Bracket Assembly - I.H. Inc. Item 74
78A	1	2106732		Air Chamber Bracket Assembly - R.H. Inc. Item 74
78B	4	600853		Air Chamber Bracket Assembly Spacer - Not Illustrated
79	4	4E-12		Air Chamber Bracket Capscrew Lockwasher
80	4	1C-1260H		Air Chamber Bracket Capscrew
81	2	107010		Stack Adjuster Retaining Washer
82	2	659764		Stack Adjuster Retaining Ring
83	1	119469		Housing Drain Plug
84	4	112588		Carrier to Housing Stud
85	4	126612		Carrier to Housing Stud Nut
86	4	106547		Carrier to Housing Stud Washer
87	10	64D-09H		Carrier to Housing Stud Nut
88	10	106547		Carrier to Housing Stud Washer
89	3	112295		Carrier to Housing Stud Taper Dowel
90	10	112587		Carrier to Housing Stud
91	1	124326		Differential & Carrier Assembly SEE PART LIST
92	1	120707		Name Plate - Not Illustrated
93	2	6C-605H		Name Plate Screw - Not Illustrated
94	2	124343		Hub & Drum Assembly - Inc. Items 23 thru 26, 29, 30, 32, and 37
95	2	110552		Internal Gear & Hub Assembly - Inc. Item 1, 2, and 3

% - Part Stock Recommendation

N.I. - Not Illustrated

Easy →



CLARK

CLARK

CLARK EQUIPMENT COMPANY
Automotive Division
Jackson-Buchanan, Michigan

DATE: 14 Sept 81

CLARK MODEL: 841142

BRAKE ASSEMBLY
Parts Quantity for one (1) Brake

ITEM	QTY.	PART NO.	DESCRIPTION
1	1	841142	Brake Assembly
1	1	841141	Brake Spider
2	2	25K-40028	Cam Roller Sealing Ring
3	2	126246	Brake Cam Roller - (46.13)
4	2	25K-40028	Cam Roller Sealing Ring
5	32	86D-06H	Brake Lining Attaching Bolt Nut
6	32	2105825	Lining Attaching Bolt Lockwasher
7	2	126247 - B	Brake Cam Roller Pin (38.37)
8	2	123821	Cam Roller Lock Pin
9	2	123823	Cam Roller Lock Pin
10	2	64D-06H	Spring Anchor Pin Nut
11	2	4B-06	Spring Anchor Pin Lockwasher
12	4	114306	Brake Lining .735 - .720 - Thickness Two Linings per Shoe - See Item 22
12A	4	114307	Brake Lining .860 - .845 - Thickness Two Linings per Shoe - Reborn Drum Lin
13	32	10C-620H	Brake Lining Attaching Bolt
14	32	113249	Lining Bolt Hole Plug
15	2	112216	Spring Anchor Pin
16			Not used on this model
17	2	126248 - 197.52	Brake Shoe Bushing 107.27
18			Not used on this model
19	2	109597	Anchor Pin Set Screw

SHV-380

* - PART STOCK RECOMMENDATION

ITEM	QTY.	PART NO.	DESCRIPTION
20	2	112213	Brake Shoe Anchor Pin 30196
21	2		Not used on this model
22	2	117304	Brake Shoe, Lining and Roller Assembly for Standard Drum - Inc. Items 2 thru 9, 12, 13, 14, 17, 22A
22A	2	113246	Brake Shoe, & Bushing Assembly - Inc. #17